

The **RST®** MINI connector series Optimized for installation in confined spaces

The **RST®** MINI series marks a continuation of the story of the **RST®** installation system's success and logically follows the trend towards compact designs.

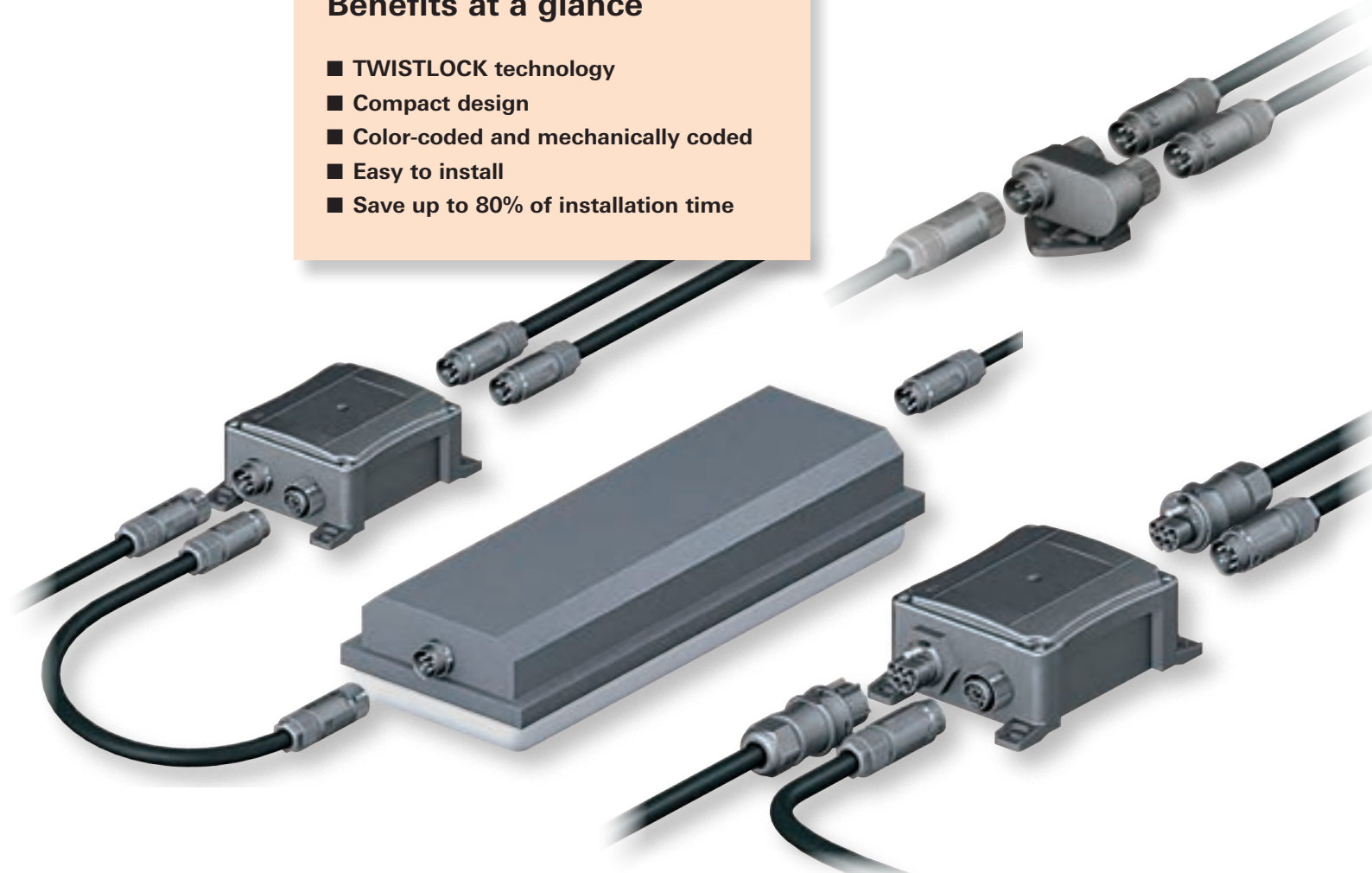
The 2- to 5-pole plug connectors and device connectors have been designed for 250/400V and 16A and are all available in the screw connection technology that electricians trust.

Customized distributors as well as pre-assembled cables round the system off perfectly and offer a huge range of different possible uses, not just in building automation or industry.



Benefits at a glance

- TWISTLOCK technology
- Compact design
- Color-coded and mechanically coded
- Easy to install
- Save up to 80% of installation time



RST® MINI click & safe

The patented locking device

TWISTLOCK technology

With the smart TWISTLOCK locking mechanism, the connectors lock automatically when plugged together and give the user clear feedback on the correct end position. A slight rotation severs the connection easily.

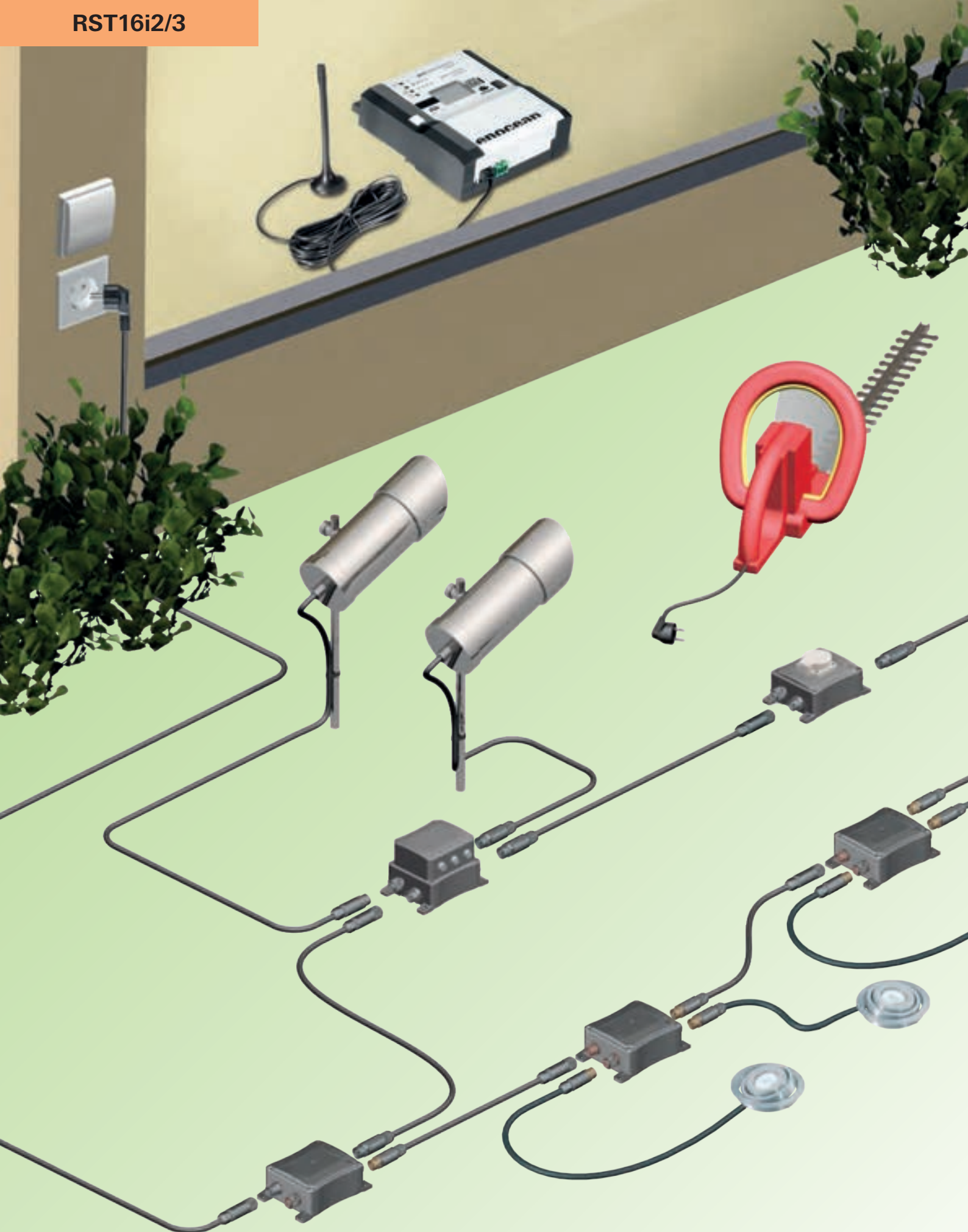
click & safe

Close

automatic locking mechanism

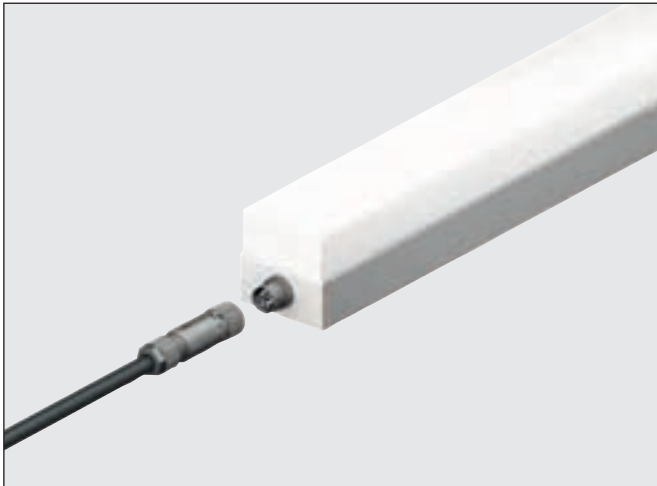
Open

RST® MINI



The RST16i2/3 product line – mains connection, lighting installation, DALI, DMX, applications in the extra-low voltage range (LED technology), loudspeaker applications

Application example



General

With the 2-/3-pole connectors, there are five available codings. These can cover applications relating to the mains connection of electrical consumers, the connection of LED luminaires in the extra-low voltage range, and also the electrification of DALI, DMX, or loudspeaker systems. The main focus is the mains connection of electrical equipment with a compact design. The mechanical codings have the advantage that only associated pairs of male and female connectors can be connected, with the correct polarity ensured. This gives you the security of a clear distinction.

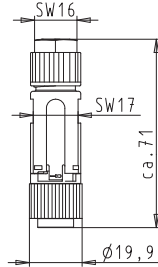
The connectors are also available in a 2-pole variant. This is based on the 3-pole housing, but with one pole not configured.

Coding

	Application	250V		250/400V	250/400V	250/400V	~50/-120V
		L, N, PE	1, 2, PE	1, 2, 3	1, 2, 3	D1, D2, PE	
	Mechanical coding						
Name	Description	black	light gray	green	turquoise	light blue	signal brown
Connectors		✓	✓	✓	✓	✓	✓
M16 device connections		✓	✓	✓	✓	✓	✓
Distribution units	RST® compact and multiple distribution unit	✓	✓	✓	✓	✓	✓
	Distribution block 1E/2A	✓	✓	✓	✓	✓	✓
	Individual distribution box	on request	on request	on request	on request	on request	on request
Cable assemblies	Device connection cable Male – free end	✓	✓	on request	on request	on request	on request
	Connection cable Female – free end	✓	✓	on request	on request	on request	on request
	Extension cable Female – male	✓	✓	on request	on request	on request	on request

Connectors, straight for cables Ø 5.0 – 9.5 mm²⁾

Female connector

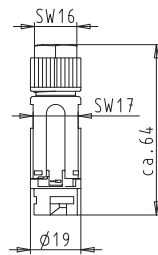


Rated values

Rated voltage	250/400V
Rated current	16A
Rated cross-section	0.25 to 1.5 mm ² (up to 1.0 mm ² suitable for ferrules), 2.5 mm ² rigid
Approvals	VDE, cULus being prepared: LR, DNV/GL, RINA, BV

Application	Coding	Pole marking	Ø Cable mm	Color	Part No.
with screw connection					
250/400 V		L, N, PE	Ø 5.0 – 9.5 mm ²⁾	black light gray	46.031.4553.1 46.031.4553.0
		L, N	Ø 5.0 – 9.5 mm ²⁾	black light gray	46.031.4554.1 46.031.4554.0
		1, 2, PE	Ø 5.0 – 9.5 mm ²⁾	green	46.031.4555.7
		1, 2, 3	Ø 5.0 – 9.5 mm ²⁾	light blue	46.031.4553.9
		1, 2 ¹⁾	Ø 5.0 – 9.5 mm ²⁾	light blue	46.031.4554.9
		D1, D2, PE	Ø 5.0 – 9.5 mm ²⁾	turquoise	46.031.4550.6
		D1, D2 ¹⁾	Ø 5.0 – 9.5 mm ²⁾	turquoise	46.031.4551.6
		D1, D2 ¹⁾	AS-i profile cable	turquoise	46.031.4951.6
~50/-120V		1, 2, 3	Ø 5.0 – 9.5 mm ²⁾	signal brown	46.031.4550.4
		1, 2 ¹⁾	Ø 5.0 – 9.5 mm ²⁾	signal brown	46.031.4551.4
		1, 2 ¹⁾	AS-i profile cable	signal brown	46.031.4951.4

Male connector



Rated values

Rated voltage	250/400V
Rated current	16A
Rated cross-section	0.25 to 1.5 mm ² (up to 1.0 mm ² suitable for ferrules), 2.5 mm ² rigid
Approvals	VDE, cULus being prepared: LR, DNV/GL, RINA, BV

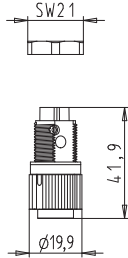
Application	Coding	Pole marking	Ø Cable mm	Color	Part No.
with screw connection					
250/400 V		L, N, PE	Ø 5.0 – 9.5 mm ²⁾	black light gray	46.032.4553.1 46.032.4553.0
		L, N	Ø 5.0 – 9.5 mm ²⁾	black light gray	46.032.4554.1 46.032.4554.0
		1, 2, PE	Ø 5.0 – 9.5 mm ²⁾	green	46.032.4555.7
		1, 2, 3	Ø 5.0 – 9.5 mm ²⁾	light blue	46.032.4553.9
		1, 2 ¹⁾	Ø 5.0 – 9.5 mm ²⁾	light blue	46.032.4554.9
		D1, D2, PE	Ø 5.0 – 9.5 mm ²⁾	turquoise	46.032.4550.6
		D1, D2 ¹⁾	Ø 5.0 – 9.5 mm ²⁾	turquoise	46.032.4551.6
		D1, D2 ¹⁾	AS-i profile cable	turquoise	46.032.4951.6
~50/-120V		1, 2, 3	Ø 5.0 – 9.5 mm ²⁾	signal brown	46.032.4550.4
		1, 2 ¹⁾	Ø 5.0 – 9.5 mm ²⁾	signal brown	46.032.4551.4
		1, 2 ¹⁾	AS-i profile cable	signal brown	46.032.4951.4

¹⁾ One pole not configured

²⁾ Other diameters available upon request. Please note: Individual H07RN-F 1.5 cables can have a diameter of more than 9.5 mm.

M16 device connections straight

Female connector



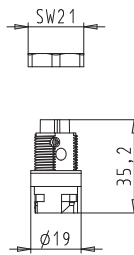
For housing cut-out see Technical Data

Rated values

Rated voltage	250/400V
Rated current	16A
Rated cross-section	0.25 to 1.5 mm ² (up to 1.0 mm ² suitable for ferrules), 2.5 mm ² rigid
Approvals	VDE, cULus being prepared: LR, DNV/GL, RINA, BV
Wall thicknesses	up to 8 mm

Application	Coding	Pole marking	Color	Part No.
with screw connection				
250/400 V		L, N, PE	black light gray	46.031.5053.1 46.031.5053.0
		L, N	black light gray	46.031.5054.1 46.031.5054.0
		1, 2, PE	green	46.031.5055.7
		1, 2, 3	light blue	46.031.5053.9
		1, 2 ¹⁾	light blue	46.031.5054.9
		D1, D2, PE	turquoise	46.031.5050.6
		D1, D2 ¹⁾	turquoise	46.031.5051.6
~50/-120V		1, 2, 3	signal brown	46.031.5050.4
		1, 2 ¹⁾	signal brown	46.031.5051.4

Male connector



For housing cut-out see Technical Data

Rated values

Rated voltage	250/400V
Rated current	16A
Rated cross-section	0.25 to 1.5 mm ² (up to 1.0 mm ² suitable for ferrules), 2.5 mm ² rigid
Approvals	VDE, cULus being prepared: LR, DNV/GL, RINA, BV
Wall thicknesses	up to 8 mm

Application	Coding	Pole marking	Color	Part No.
with screw connection				
250/400 V		L, N, PE	black light gray	46.032.5053.1 46.032.5053.0
		L, N	black light gray	46.032.5054.1 46.032.5054.0
		1, 2, PE	green	46.032.5055.7
		1, 2, 3	light blue	46.032.5053.9
		1, 2 ¹⁾	light blue	46.032.5054.9
		D1, D2, PE	turquoise	46.032.5050.6
		D1, D2 ¹⁾	turquoise	46.032.5051.6
~50/-120V		1, 2, 3	signal brown	46.032.5050.4
		1, 2 ¹⁾	signal brown	46.032.5051.4

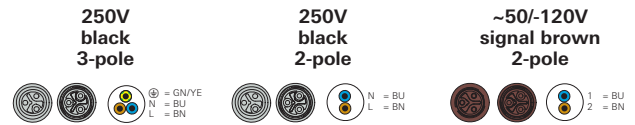
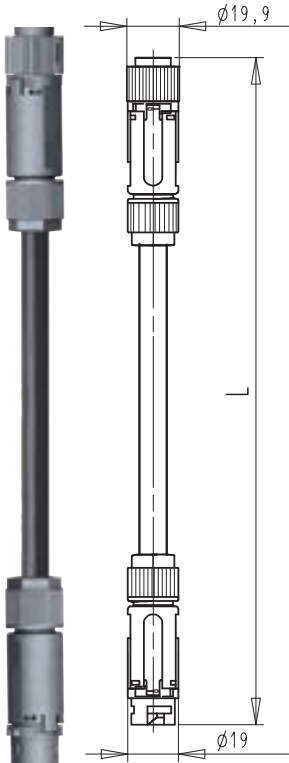
¹⁾ One pole not configured

Cable assemblies

1.5 mm²; 16 A

Rated values			Connection type of cable	
Wire ends	(open cable end)	ultrason. welded	cable gland	
Sheath strip length	(open cable end)	35 mm	Interlock	integrated
Insulation strip length	(open cable end)	9 mm	Color cable	black
			Color handle shell	black

Connection cables female – male

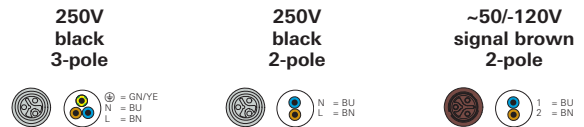
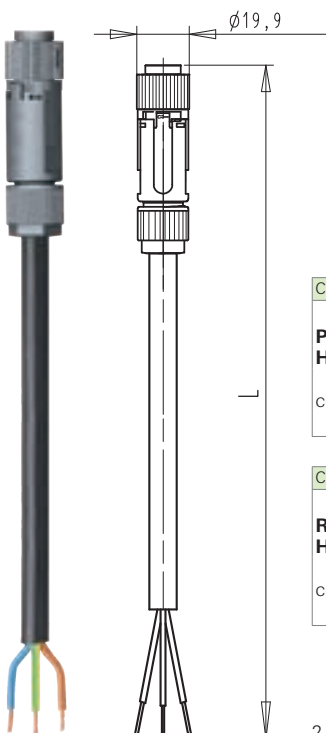


Cable	Length m	Part No.	Part No.	Part No.
PVC cable H05VV-F containing halogen	0.5	46.432.0500.1	46.422.0500.1	46.422.0502.4
	1	46.432.1000.1	46.422.1000.1	46.422.1002.4
	2	46.432.2000.1	46.422.2000.1	46.422.2002.4
	3	46.432.3000.1	46.422.3000.1	46.422.3002.4
	4	46.432.4000.1	46.422.4000.1	46.422.4002.4
5	46.432.5000.1	46.422.5000.1	46.422.5002.4	

Cable	Length m	Part No.	Part No.	Part No.
Rubber-sheathed cable H07RN-F containing halogen	0.5	46.432.0530.1	46.422.0530.1	46.422.0532.4
	1	46.432.1030.1	46.422.1030.1	46.422.1032.4
	2	46.432.2030.1	46.422.2030.1	46.422.2032.4
	3	46.432.3030.1	46.422.3030.1	46.422.3032.4
	4	46.432.4030.1	46.422.4030.1	46.422.4032.4
5	46.432.5030.1	46.422.5030.1	46.422.5032.4	

2-pole connectors – one pole is not configured.

Connection cables female – free end



Cable	Length m	Part No.	Part No.	Part No.
PVC cable H05VV-F containing halogen	0.5	46.432.0503.1	46.422.0503.1	46.422.0507.4
	1	46.432.1003.1	46.422.1003.1	46.422.1007.4
	2	46.432.2003.1	46.422.2003.1	46.422.2007.4
	3	46.432.3003.1	46.422.3003.1	46.422.3007.4
	4	46.432.4003.1	46.422.4003.1	46.422.4007.4
5	46.432.5003.1	46.422.5003.1	46.422.5007.4	

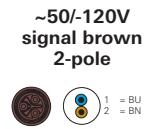
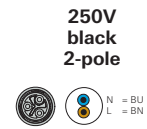
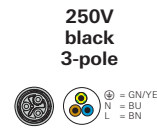
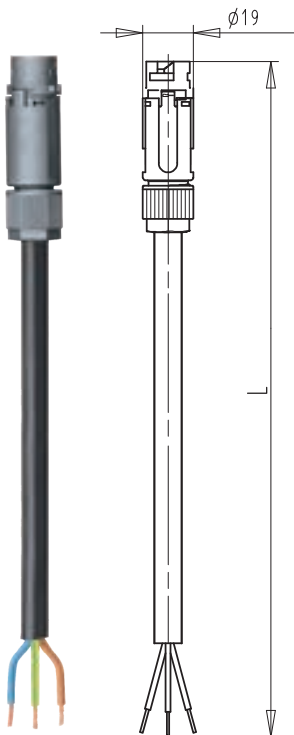
Cable	Length m	Part No.	Part No.	Part No.
Rubber-sheathed cable H07RN-F containing halogen	0.5	46.432.0533.1	46.422.0533.1	46.422.0537.4
	1	46.432.1033.1	46.422.1033.1	46.422.1037.4
	2	46.432.2033.1	46.422.2033.1	46.422.2037.4
	3	46.432.3033.1	46.422.3033.1	46.422.3037.4
	4	46.432.4033.1	46.422.4033.1	46.422.4037.4
5	46.432.5033.1	46.422.5033.1	46.422.5037.4	

2-pole connectors – one pole is not configured.

Cable assemblies

1.5 mm²; 16 A

Connection cables male – free end



Cable	Length m	Part No.	Part No.	Part No.
PVC cable H05VV-F containing halogen	0.5	46.432.0504.1	46.422.0504.1	46.422.0508.4
	1	46.432.1004.1	46.422.1004.1	46.422.1008.4
	2	46.432.2004.1	46.422.2004.1	46.422.2008.4
	3	46.432.3004.1	46.422.3004.1	46.422.3008.4
	4	46.432.4004.1	46.422.4004.1	46.422.4008.4
5	46.432.5004.1	46.422.5004.1	46.422.5008.4	

Cable	Length m	Part No.	Part No.	Part No.
Rubber-sheathed cable H07RN-F containing halogen	0.5	46.432.0534.1	46.422.0534.1	46.422.0538.4
	1	46.432.1034.1	46.422.1034.1	46.422.1038.4
	2	46.432.2034.1	46.422.2034.1	46.422.2038.4
	3	46.432.3034.1	46.422.3034.1	46.422.3038.4
	4	46.432.4034.1	46.422.4034.1	46.422.4038.4
5	46.432.5034.1	46.422.5034.1	46.422.5038.4	

2-pole connectors – one pole is not configured.

Cable assemblies

1.5 mm²; 16 A

Connection cable

Schuko plug - RST16i3 female



**250V
black
3-pole**



Cable	Length m	Part No.
PVC cable H05VV-F containing halogen	1.5	99.700.0000.8
	2.5	99.701.0000.8
	4	99.702.0000.8
	5	99.703.0000.8
	8	99.704.0000.8

Cable	Length m	Part No.
Rubber-sheathed cable H07RN-F containing halogen	1.5	99.705.0000.8
	2.5	99.706.0000.8
	4	99.707.0000.8
	5	99.708.0000.8
	8	99.709.0000.8

Connection cable

RST16i3 - Schuko coupling



**250V
black
3-pole**



Cable	Length m	Part No.
Rubber-sheathed cable H07RN-F containing halogen	0.5	99.710.0000.8
	1	
	2	other lengths
	3	on request
	4	
	5	



Distribution units

Compact distribution units

Dimensions 104 x 162 x 57.2 mm

pre-wired with
Mounting option

1.5 mm² (halogen free)
Yes

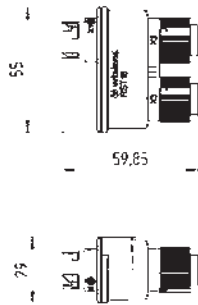


Color	Application	Pole marking	Input	Outputs	Part No.
■ black	250V	L, N, PE	1	3	46.030.0153.1
■ light gray	250V	L, N, PE	1	3	46.030.0153.0
■ black	250V	L, N	1	3	46.030.0154.1
■ light gray	250V	L, N	1	3	46.030.0154.0
■ leaves green	250/400V	1, 2, PE	1	3	46.030.0155.7
■ light blue	250/400V	1, 2, 3	1	3	46.030.0153.9
■ light blue	250/400V ¹⁾	1, 2	1	3	46.030.0154.9
■ turquoise blue	250/400V	D1, D2, PE	1	3	46.030.0150.6
■ turquoise blue	250/400V ¹⁾	D1, D2	1	3	46.030.0151.6
■ signal brown	~50/-120V	1, 2, 3	1	3	46.030.0150.4
■ signal brown	~50/-120V ¹⁾	1, 2	1	3	46.030.0151.4

Distribution block 11/20

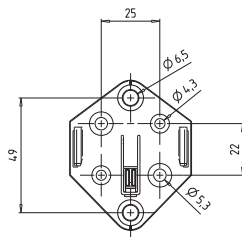
Mounting option

with separate mounting plate



Color	Application	Pole marking	Input	Outputs	Part No.
■ black	250V	L, N, PE	1	2	46.030.1253.1
■ light gray	250V	L, N, PE	1	2	46.030.1253.0
■ black	250V	L, N	1	2	46.030.1254.1
■ light gray	250V	L, N	1	2	46.030.1254.0
■ leaves green	250/400V	1, 2, PE	1	2	46.030.1255.7
■ light blue	250/400V	1, 2, 3	1	2	46.030.1253.9
■ light blue	250/400V ¹⁾	1, 2	1	2	46.030.1254.9
■ turquoise blue	250/400V	D1, D2, PE	1	2	46.030.1250.6
■ turquoise blue	250/400V ¹⁾	D1, D2	1	2	46.030.1251.6
■ signal brown	~50/-120V	1, 2, 3	1	2	46.030.1250.4
■ signal brown	~50/-120V ¹⁾	1, 2	1	2	46.030.1251.4

Mounting plate for distribution block



Color	Part No.
■ black	06.562.5853.1
■ light gray	06.562.5853.0



Accessories

Cover caps

For the safe closure of female and male connectors.

With mounting strap for snapping onto plug connectors and device connectors

for female

for male



not captive against loss

Color	for female	for male
■ light gray	Part No. 06.563.8653.0	Part No. 06.563.8853.0
■ black	06.563.8653.1	06.563.8853.1

for female

for male



captive against loss

Color	for female	for male
■ light gray	Part No. 06.563.8753.0	Part No. 06.563.8953.0
■ black	06.563.8753.1	06.563.8953.1



The previous version with plug on function is under known Part no. available until 12/2018.

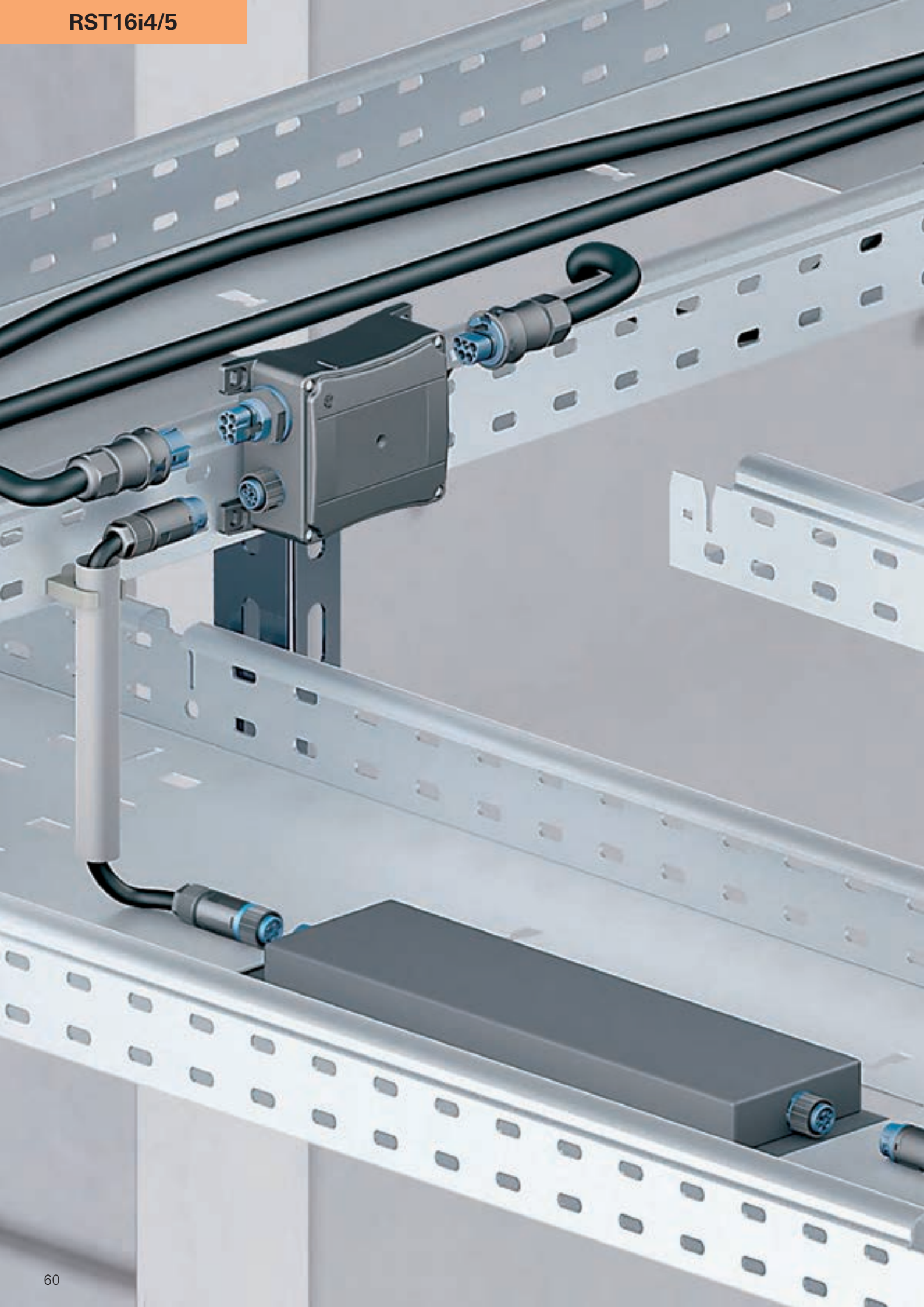
Sample kit

Contents:

- Connectors
- Device connectors
- Contact parts in various codings
- Cover caps
- Distributor



Name	Part No.
Sample Kit	99.674.0000.0



The RST16i4/5 product line – general network applications, lighting installation with dimming function, connection of electrical (sunblind) drives, applications in the extra-low voltage range (LED technology)

Application example





General

The **RST16i4/5** product line has a total of four mechanical codings and can therefore cover a wide range of applications from general network applications to applications in the extra-low voltage range. The main focus is the connection of dimmable luminaires with a compact design. This series is also tailored for the electrification of RGB or RGB-W/A outdoor spotlights. There are different mechanical codings available for every application. This means that only associated pairs of male and female connectors can be connected, with the correct polarity ensured. This gives you the security of a clear distinction.

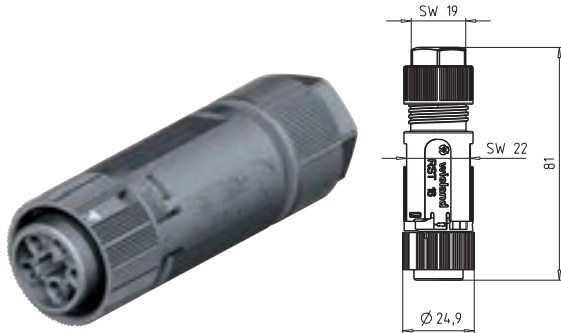
The codings are also available in a 4-pole variant. This is based on the 5-pole housing, but with one pole not configured.

Coding

	Application	250/400V		250V	250/400V	~50/- 120V
		1, 2, 3, N, PE		L, N, PE, 1, 2	1, 2, 3, 4, 5	1, 2, 3, 4, 5
	Mechanical coding, for example					
Name	Description	black	light gray	turquoise	signal brown	light blue
Connectors		✓	✓	✓	✓	✓
Device connectors M20,2		✓	✓	✓	✓	✓
Distribution units	RST® compact and multiple distributors	✓	✓	✓	✓	✓
	Distribution block 1E/2A	✓	✓	✓	✓	✓
	Individual distribution box	on request	on request	on request	on request	on request
Cable assemblies	Device connector cable Male – free end	✓	on request	✓	on request	on request
	Connection cable Female – free end	✓	on request	✓	on request	on request
	Extension cable Female – male	✓	on request	✓	on request	on request

Connectors, straight for cables Ø 7.1 – 13 mm²⁾

Female connector

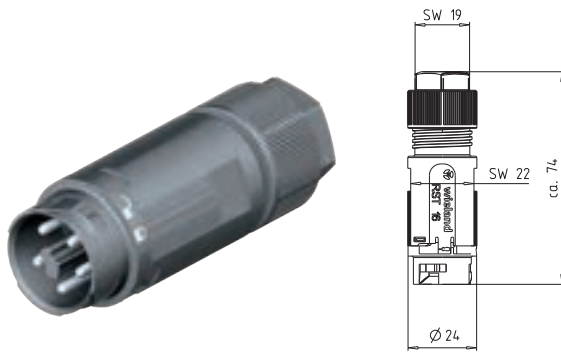


Rated values

Rated voltage	250/400V
Rated current	16A
Rated cross-section	0.25 to 2.5 mm ² (up to 1.5 mm ² suitable for ferrules)
Approvals	VDE, cULus, CSA, LR, DNV/GL, RINA, BV

Application	Coding	Pole marking	Color	Part No.
with screw connection				
250/400V		1, 2, 3, N, PE	black light gray	46.051.4553.1 46.051.4553.0
		1, 2, 3, PE ¹⁾	black light gray	46.051.4554.1 46.051.4554.0
		L, N, PE, 1, 2	turquoise	46.051.4553.6
		1, 2, 3, 4, 5	light blue	46.051.4553.9
~50/-120V		1, 2, 3, 4, 5	signal brown	46.051.4550.4
		1, 2, 3, 4 ¹⁾	signal brown	46.051.4551.4

Male connector



Rated values

Rated voltage	250/400V
Rated current	16 A
Rated cross-section	0.25 to 2.5 mm ² (up to 1.5 mm ² suitable for ferrules)
Approvals	VDE, cULus, CSA, LR, DNV/GL, RINA, BV

Application	Coding	Pole marking	Color	Part No.
with screw connection				
250/400V		1, 2, 3, N, PE	black light gray	46.052.4553.1 46.052.4553.0
		1, 2, 3, PE ¹⁾	black light gray	46.052.4554.1 46.052.4554.0
		L, N, PE, 1, 2	turquoise	46.052.4553.6
		1, 2, 3, 4, 5	light blue	46.052.4553.9
~50/-120V		1, 2, 3, 4, 5	signal brown	46.052.4550.4
		1, 2, 3, 4 ¹⁾	signal brown	46.052.4551.4

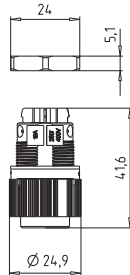
¹⁾ One pole not configured
²⁾ Other diameters available upon request

M20.2 device connector straight

Female connector



For housing cut-out see
Technical Data



Rated values

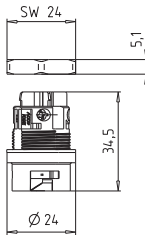
Rated voltage	250/400V
Rated current	16A
Rated cross-section	0.25 to 2.5 mm ² (up to 1.5 mm ² suitable for ferrules)
Approvals	VDE, cULus, CSA, LR, DNV/GL, RINA, BV being prepared
Wall thicknesses	up to 5 mm

Application	Coding	Pole marking	Color	Part No.
with screw connection				
250/400V		1, 2, 3, N, PE	black light gray	46.051.5053.1 46.051.5053.0
		1, 2, 3, PE ¹⁾	black light gray	46.051.5054.1 46.051.5054.0
		L, N, PE, 1, 2	turquoise	46.051.5053.6
		1, 2, 3, 4, 5	light blue	46.051.5053.9
~50/-120V		1, 2, 3, 4, 5	signal brown	46.051.5050.4
		1, 2, 3, 4 ¹⁾	signal brown	46.051.5051.4

Male connector



For housing cut-out see
Technical Data



Rated values

Rated voltage	250/400V
Rated current	16A
Rated cross-section	0.25 to 2.5 mm ² (up to 1.5 mm ² suitable for ferrules)
Approvals	VDE, cULus, CSA, LR, DNV/GL, RINA, BV being prepared
Wall thicknesses	up to 5 mm

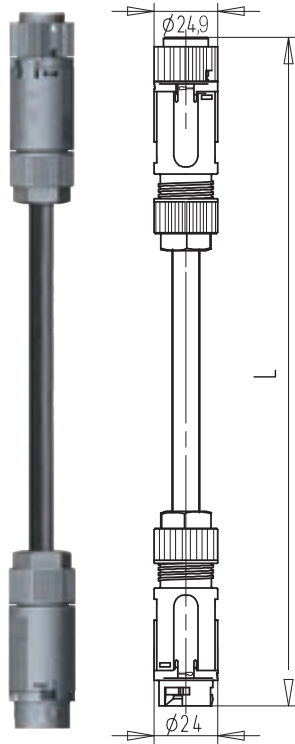
Application	Coding	Pole marking	Color	Part No.
with screw connection				
250/400V		1, 2, 3, N, PE	black light gray	46.052.5053.1 46.052.5053.0
		1, 2, 3, PE ¹⁾	black light gray	46.052.5054.1 46.052.5054.0
		L, N, PE, 1, 2	turquoise	46.052.5053.6
		1, 2, 3, 4, 5	light blue	46.052.5053.9
~50/-120V		1, 2, 3, 4, 5	signal brown	46.052.5050.4
		1, 2, 3, 4 ¹⁾	signal brown	46.052.5051.4

¹⁾ One pole not configured

Cable assemblies 1.5 mm²; 16 A

Rated values			Connection type of cable	
Wire ends	(open cable end)	ultrason. welded	cable gland	
Sheath strip length	(open cable end)	35 mm	Interlock	integrated
Insulation strip length	(open cable end)	9 mm	Color cable	black
			Color handle shell	black

Connection cables female – male



**250/400V
black
5-pole**



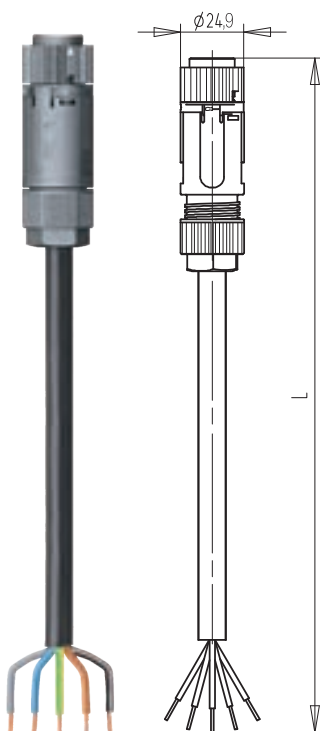
**250V
turquoise
5-pole**



Cable	Length m	Part No.	Part No.
PVC cable H05VV-F containing halogen	0.5	46.452.0500.1	46.452.0500.6
	1	46.452.1000.1	46.452.1000.6
	2	46.452.2000.1	46.452.2000.6
	3	46.452.3000.1	46.452.3000.6
	4	46.452.4000.1	46.452.4000.6
5	46.452.5000.1	46.452.5000.6	

Cable	Length m	Part No.	Part No.
Rubber-sheathed cable H07RN-F containing halogen	0.5	46.452.0530.1	46.452.0530.6
	1	46.452.1030.1	46.452.1030.6
	2	46.452.2030.1	46.452.2030.6
	3	46.452.3030.1	46.452.3030.6
	4	46.452.4030.1	46.452.4030.6
5	46.452.5030.1	46.452.5030.6	

Connection cables female – free end



**250/400V
black
5-pole**



**250V
turquoise
5-pole**



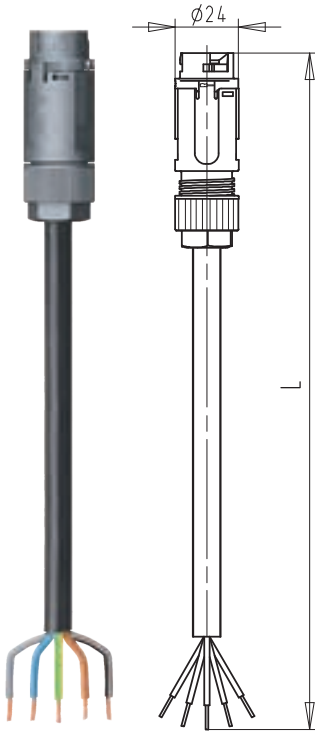
Cable	Length m	Part No.	Part No.
PVC cable H05VV-F containing halogen	0.5	46.452.0503.1	46.452.0503.6
	1	46.452.1003.1	46.452.1003.6
	2	46.452.2003.1	46.452.2003.6
	3	46.452.3003.1	46.452.3003.6
	4	46.452.4003.1	46.452.4003.6
5	46.452.5003.1	46.452.5003.6	

Cable	Length m	Part No.	Part No.
Rubber-sheathed cable H07RN-F containing halogen	0.5	46.452.0533.1	46.452.0533.6
	1	46.452.1033.1	46.452.1033.6
	2	46.452.2033.1	46.452.2033.6
	3	46.452.3033.1	46.452.3033.6
	4	46.452.4033.1	46.452.4033.6
5	46.452.5033.1	46.452.5033.6	

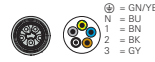
Cable assemblies

1.5 mm²; 16 A

Connection cables male – free end



**250/400V
black
5-pole**



**250V
turquoise
5-pole**



Cable	Length m	Part No.	Part No.
PVC cable H05VV-F containing halogen	0.5	46.452.0504.1	46.452.0504.6
	1	46.452.1004.1	46.452.1004.6
	2	46.452.2004.1	46.452.2004.6
	3	46.452.3004.1	46.452.3004.6
	4	46.452.4004.1	46.452.4004.6
5	46.452.5004.1	46.452.5004.6	

Cable	Length m	Part No.	Part No.
Rubber-sheathed cable H07RN-F containing halogen	0.5	46.452.0534.1	46.452.0534.6
	1	46.452.1034.1	46.452.1034.6
	2	46.452.2034.1	46.452.2034.6
	3	46.452.3034.1	46.452.3034.6
	4	46.452.4034.1	46.452.4034.6
5	46.452.5034.1	46.452.5034.6	

Distribution units

Compact distribution units

Dimensions 104 x 162 x 57.2 mm

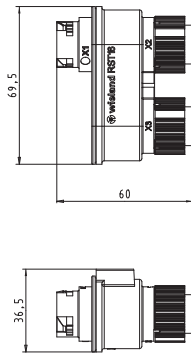
pre-wired with 1.5 mm²
Mounting option yes



Color	Application	Pole marking	Input	Outputs	Part No.
■ black	250/400V	1, 2, 3, N, PE	1	3	46.050.0153.1
■ light gray	250/400V	1, 2, 3, N, PE	1	3	46.050.0153.0
■ black	250/400V ¹⁾	1, 2, 3, PE	1	3	46.050.0154.1
■ light gray	250/400V ¹⁾	1, 2, 3, PE	1	3	46.050.0154.0
■ turquoise blue	250V	L, N, PE, 1, 2	1	3	46.050.0153.6
■ light blue	250/400V	1, 2, 3, 4, 5	1	3	46.050.0153.9
■ signal brown	~50/-120V	1, 2, 3, 4, 5	1	3	46.050.0150.4
■ signal brown	~50/-120V ¹⁾	1, 2, 3, 4	1	3	46.050.0151.4

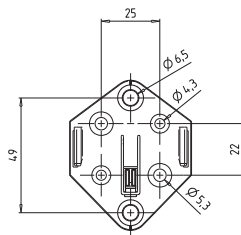
Distribution block 11/20

Mounting option with separate mounting plate



Color	Application	Pole marking	Input	Outputs	Part No.
■ black	250/400V	1, 2, 3, N, PE	1	2	46.050.1253.1
■ light gray	250/400V	1, 2, 3, N, PE	1	2	46.050.1253.0
■ black	250/400V ¹⁾	1, 2, 3, PE	1	2	46.050.1254.1
■ light gray	250/400V ¹⁾	1, 2, 3, PE	1	2	46.050.1254.0
■ turquoise blue	250V	L, N, PE, 1, 2	1	2	46.050.1253.6
■ light blue	250/400V	1, 2, 3, 4, 5	1	2	46.050.1253.9
■ signal brown	~50/-120V	1, 2, 3, 4, 5	1	2	46.050.1250.4
■ signal brown	~50/-120V ¹⁾	1, 2, 3, 4	1	2	46.050.1251.4

Mounting plate for distribution block



Color	Part No.
■ black	06.562.5853.1
■ light gray	06.562.5853.0



Accessories

Cover caps

For the safe closure of female and male connectors.
With mounting strap for snapping onto plug connectors and device connectors

for female

for male



not captive against loss

Color	for female	for male
■ light gray	Part No. 06.563.9053.0	Part No. 06.563.9253.0
■ black	06.563.9053.1	06.563.9253.1

for female

for male



captive against loss

Color	for female	for male
■ light gray	Part No. 06.563.9153.0	Part No. 06.563.9353.0
■ black	06.563.9153.1	06.563.9353.1



The previous version with plug on function is under known Part no. available until 12/2018.

Sample kit

- Contents:
- Connectors
 - Device connectors
 - Contact parts in various codings
 - Cover caps
 - Distributor



Name	Part No.
Sample kit	99.675.0000.0

Sample kit SMI

RST®/gesis® SMI sample kit, shows fitting parts for SMI applications combined out of the installation systems RST16 and GST18.

- Content system RST16: version 5 pole in turquoise blue and 4 pole in signal brown: connectors and device connectors in female and male part with cover pieces, distributor 1I/2O with mounting plate.
- Content system GST18: version 5 pole in pastel blue: flat cable with adapter, T-distributor 1I/2O, connector female and male part.



Name	Part No.
Sample kit SMI	99.688.0000.0

Technical data **RST**[®] MINI

	RST16i2/3	RST16i4/5
Rated voltage	250/400V	250/400V
Rated current	16A	16A
Number of poles	2/3	4/5

Connector

temperature range:

- 40 °C to 100 °C

Material:

Contact parts: brass, surface-treated
Housing parts: Polyamide, halogen-free, V2
Sealing material: NBR

Pollution degree:

3 (when connected)

Degree of protection:

IP66/68 (3m; 2h)/69

IK-Code

IK07 (2 Joule)

Plugging cycles:

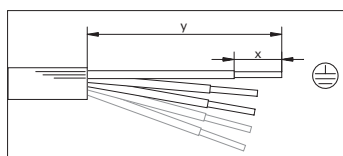
according to IEC 61535
100x without load and
50x under nominal load (cos phi = 0.6)

Approvals:

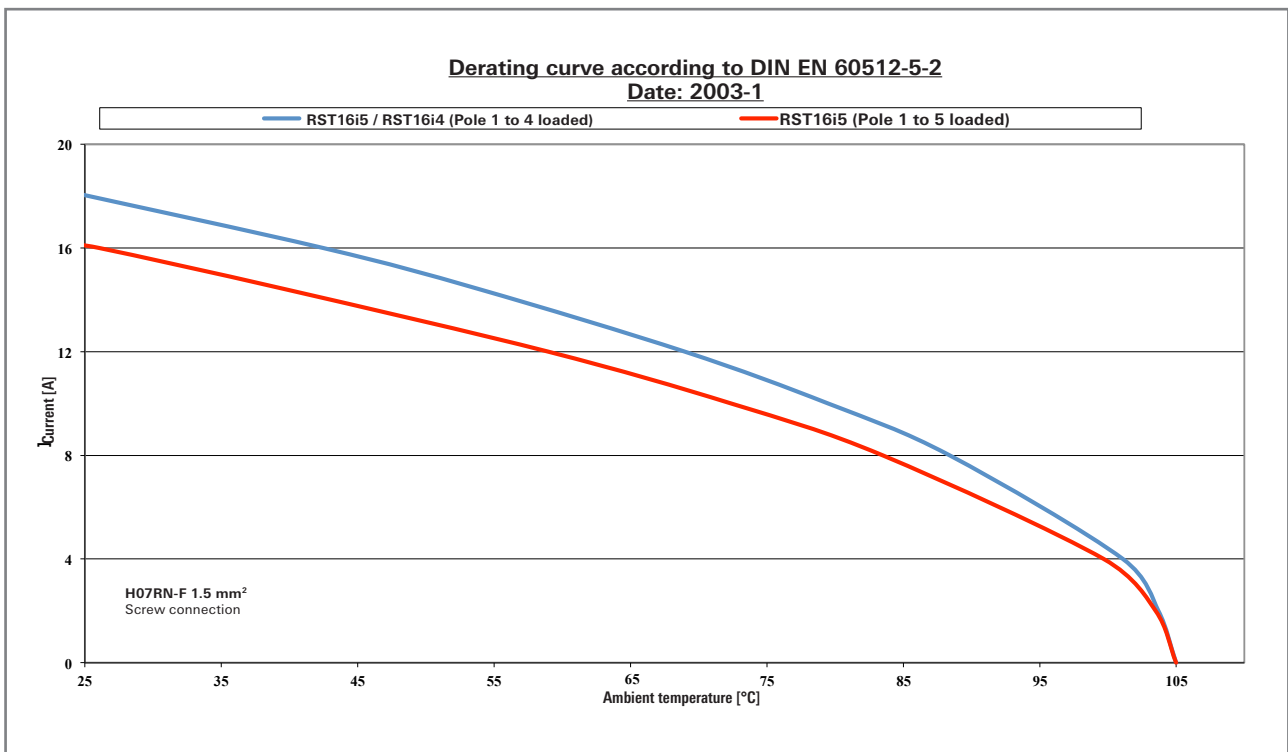
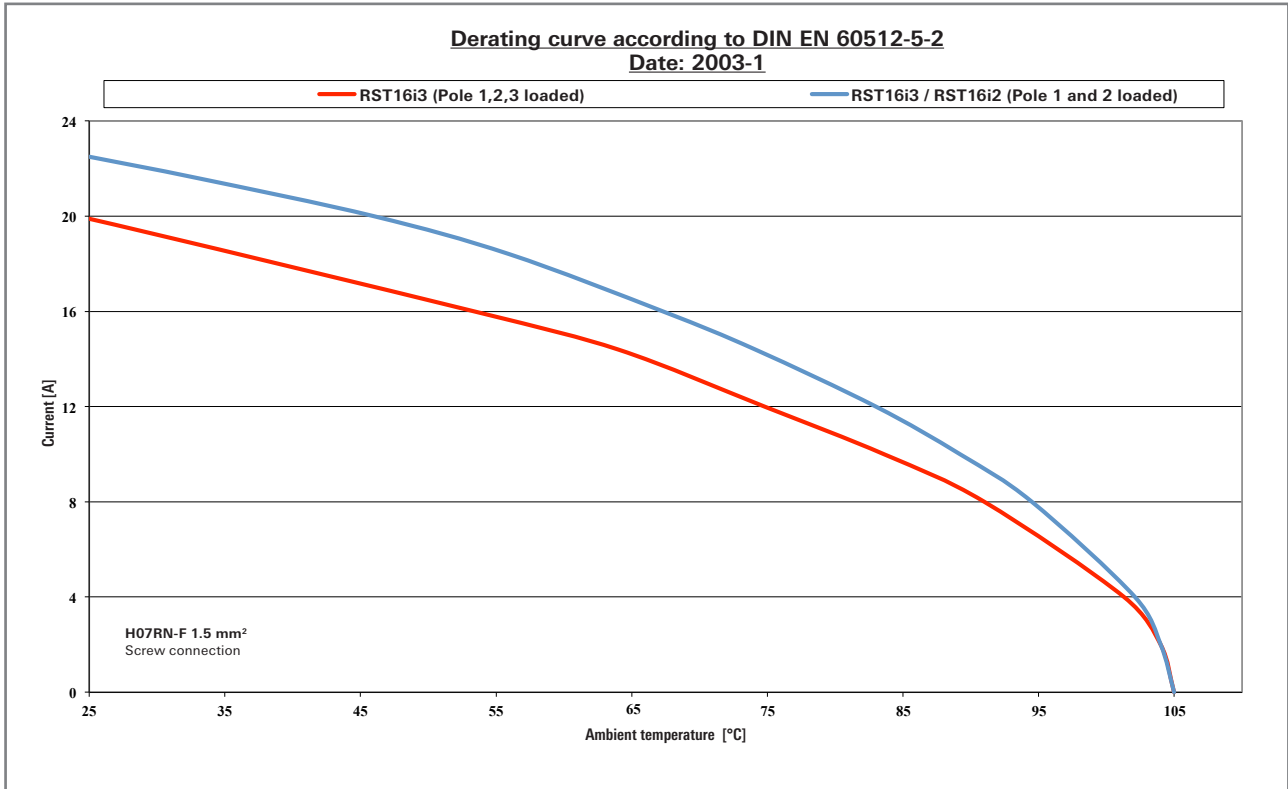
VDE (IEC 61535)
UL (UL 2238 / UL 1977)
CSA (C22.2 No.182.1 / C22.2 No.182.3)
RINA, LR, DNV/GL, BV

Wire strip lengths

fine-stranded (suitable for ferrules)

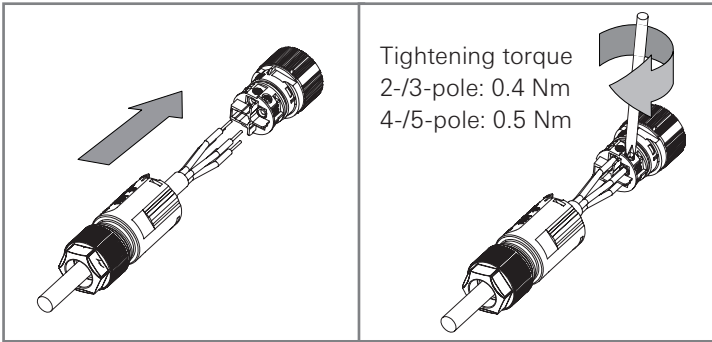


Conductor	PE	N, L, 1, 2, 3
Sheath strip length y (mm)	30	25
Wire strip length x (mm)	8	8

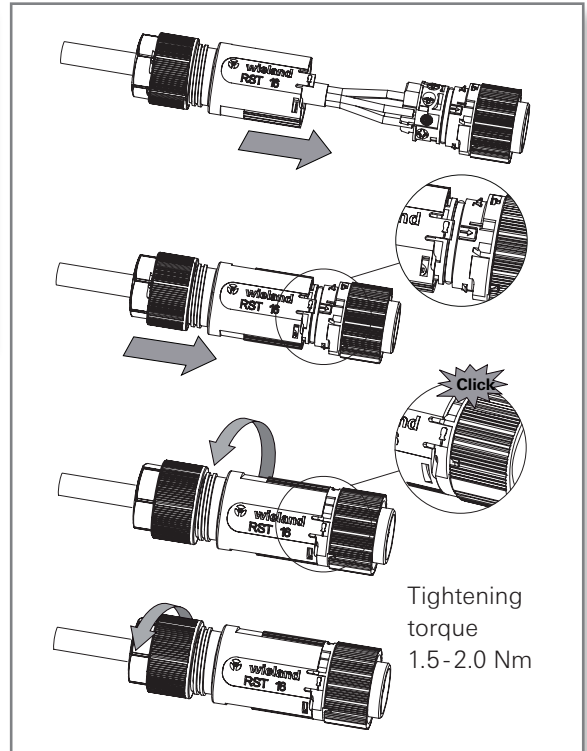


Connectors 2-/3- and 4-/5-pole

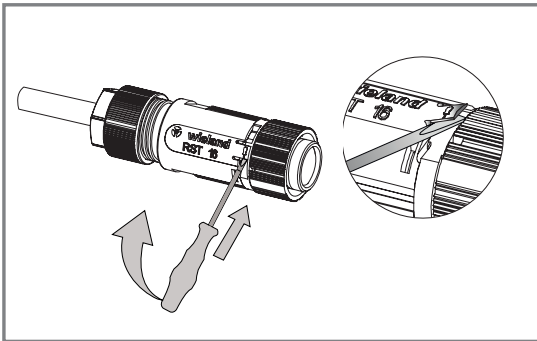
Wire connection



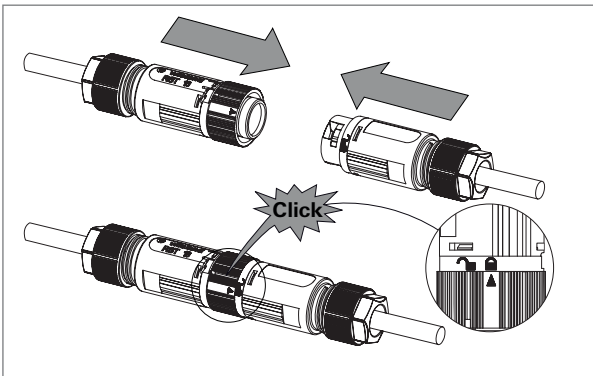
Closing



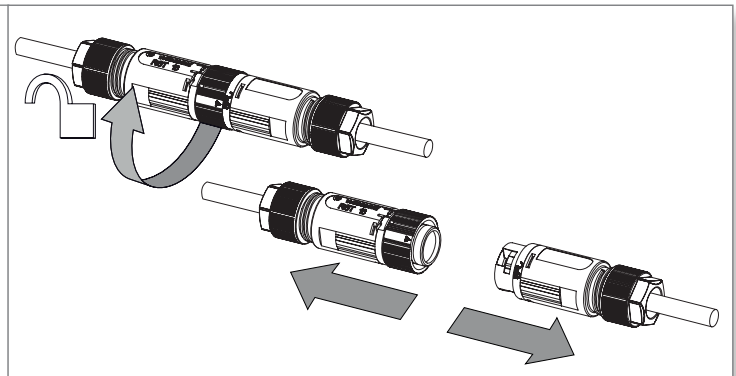
Opening the connector



Plugging and locking



Unlocking and separating

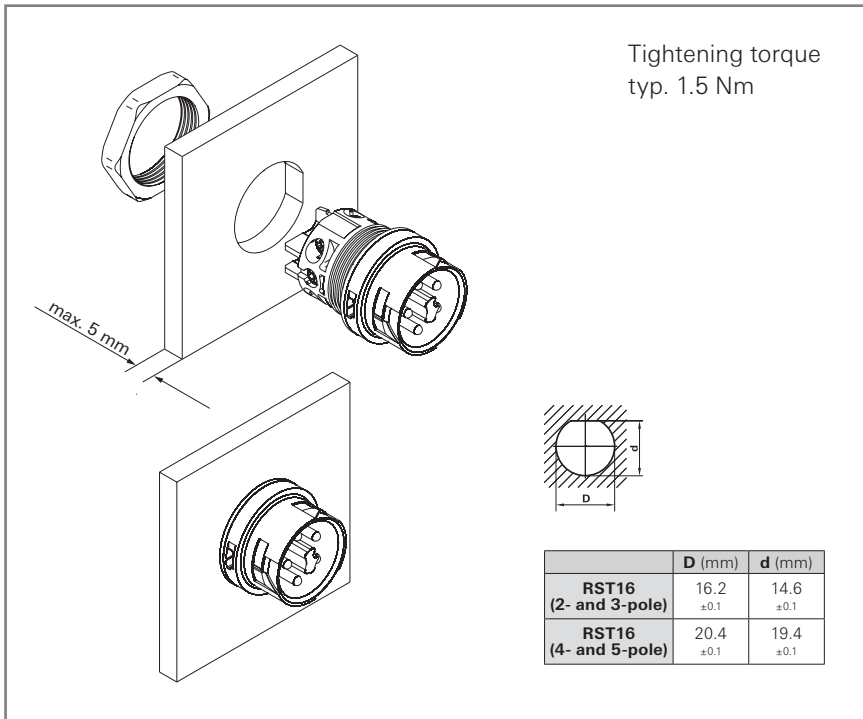


Please note that electrical connections and installation shall only be done by trained experts. Observe the included installation instructions!

The corresponding installation instruction BA000960 can be found online in the download section of the respective product under: eshop.wieland-electric.com

Device connections 2-/3- and 4-/5-pole

Housing installation



Please note that electrical connections and installation shall only be done by trained experts.
Observe the included installation instructions!

The corresponding installation instruction BA000960 can be found online in the download section of
the respective product under: eshop.wieland-electric.com