



Compact IP66 Stainless Steel Housing

Up to 50 circuits

Precious metal plated rings for low loss signal

Cable entry options

OPTIONS

- Drive and mounting arrangements to suit Customer's requirements
- Gas purged
- Oil filled pressure compensated
- Cable hose nipples
- Junction box
- Trolex Gas / Fluid Swivel
- Fibre Optic Rotary Joint

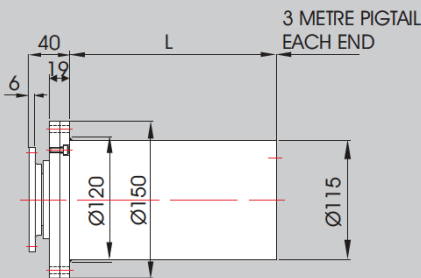
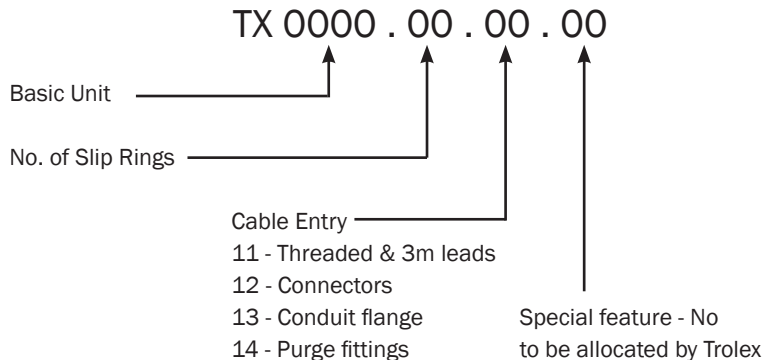
OPERATING SPECIFICATION

Temperature Limits	-20 °C to +125 °C
Ring Current	5, 8, 16 or 32 Amperes
Voltage	2000 AC or DC (higher on request)
Maximum Speed	200 rpm (higher on request)
Cable Entry	Tapped entry (with or without 3-metre leads at each end) or cost option of plug and socket connector
Enclosure	IP66

TECHNICAL DETAILS

External Material	316 Stainless Steel (Exc. connector)
Rings	Phosphor bronze (precious metal plated for signals)
Brushes	Silver graphite for signals
Bearings	Sealed for life ball journal

ORDER REFERENCE



Dimension L is dependent on slip ring requirements and advised on request

