

# SLIP RING COLLECTOR TX4845/6 SERIES



Compact IP65 Stainless Steel Housing  
Up to 26 7.5 Amp 1200 Volt Circuits  
Precious metal plated rings for low loss signal  
Cable entry options

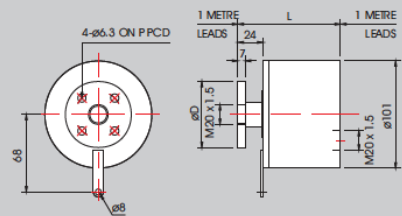
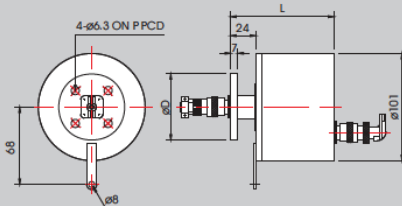
## OPERATING SPECIFICATION

Temperature Limits	-20 °C to +125 °C
Ring Current	7.5 Amperes continuous
Maximum Voltage	1200 AC or DC (limited to 700V by some connectors)
Maximum Speed	500 rpm (higher on request)
Cable Entry	M20 tapped entry and 1 metre leads at each end or cost option of plug and socket connector
Enclosure	IP66

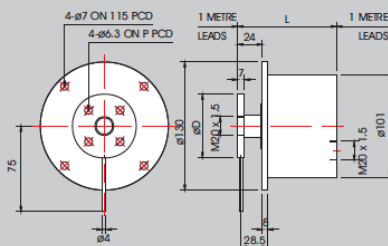
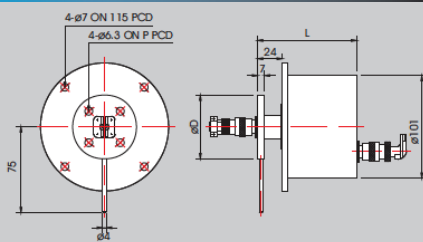
## TECHNICAL DETAILS

External Material	316 Stainless Steel (exc. connector)
Rings	Precious metal plated phosphor bronze
Brushes	Silver graphite
Bearings	Sealed for life, ball journal
Flying Leads	Type 44 22 a.w.g.
Connectors	To BS 9522 F0017 (pattern 105). US spec. Mil C 26482 Series 1 solder or equivalent.

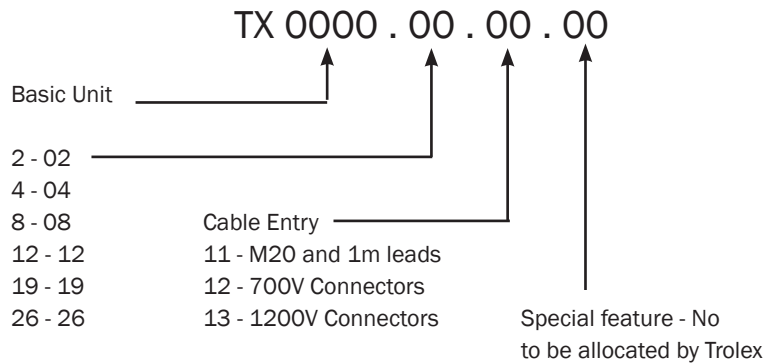
### TX4845



### TX4846



## ORDER REFERENCE



## DIMENSIONS

No. Rings	1m Leads			Connector							
				700V				1200V			
	D	P	L	D	P	L	Insert	D	P	L	Insert
2	50	39.7	86	50	39.7	86	8-2	50	39.7	86	10-5
4	50	39.7	99	50	39.7	99	8-4	50	39.7	99	14-5
8	100	90.5	125	100	90.5	125	12-8	100	90.5	125	16-8
12	100	90.5	151	100	90.5	151	14-12	N/A			
19	100	90.5	196	100	90.5	196	14-19				
26	100	90.5	242	100	90.5	242	16-26				