



GENERAL FEATURES

- 45°, 150° or 354° electrical angle
- 6 mm hollow shaft
- 31 mm body diameter
- Potentiometric output
- High linearity up to $\pm 0.2\%$
- Long life up to 5 million movements
- Resolution better than $0,1^\circ$
- Dust and moisture resistant, IP63 protection class
- No mechanical rotation limitation

APPLICATION FIELDS

- Textile machinery
- Automatic door control systems
- Automotive
- All kinds of control and measurement applications

TECHNICAL FEATURES

Electrical Data

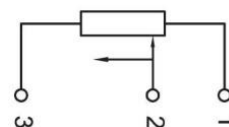
Electrical Angle	45°	150°	354°
Nominal Resistance	5K, 10K		
Resistance Tolerance	$\pm 20\%$		
Independent Linearity	$\pm 0.5\%$	$\pm 0.2\%$	$\pm 0.2\%$
Repeatability	0.1° max.		
Supply Voltage	42VDC max.		
Recommended Wiper Current	100 μ A max.		
Power Rating	0.5W / 40°C max.		
Minimum Life (electrical)	10 million movements		
Electrical Connection	3x0,102 mm ² soft PVC cable (standard 1m, optional others)		

Mechanical Data

Mechanical Angle	360°, continuous
Torque	0.5 Ncm max.
Minimum Life (mechanical)	5 million movements
Operating Temperature	-25°C ... +85°C
Storage Temperature	-40°C ... +105°C
Housing Material	Aluminum
Protection Class	IP63
Weight (with 1 m cable)	

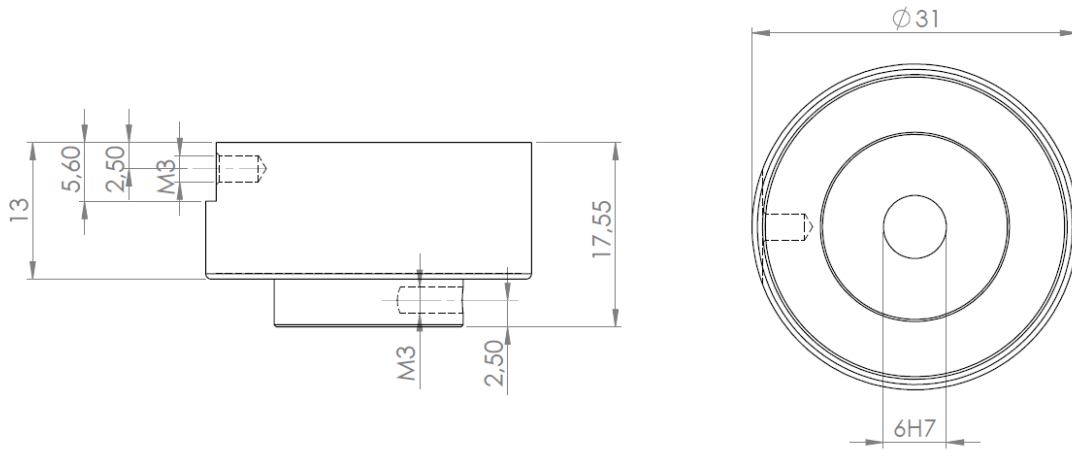
ELECTRICAL CONNECTIONS

SIGNAL	CABLE COLOR
+V	Green (1)
Potentiometric output	Red (2)
-V	Yellow (3)



Potentiometer connection (voltage divider)

MECHANICAL DIMENSIONS



ORDER CODE

Model		Angle		Cable Length				
RHP	-	XXX	-	XXX	-	XX	-	XXX
Body Diameter				Resistance Value				
030: 31 mm				5K: 5K 10K: 10K				

45: 45°
150: 150°
354: 354°

1M: 1 meter (standard)
 *Optional others

Atek Sensor Technology



Tuzla KOSB Organize Sanayi Bolgesi Melek Aras Bulvari, No:67 34956 Tuzla-Istanbul / TURKEY



Tel: +90 216 399 44 04



Fax: +90 216 399 44 02



www.ateksensor.com



info@ateksensor.com